



Construction

Vertical column sump pumps, with motor in dry installation and with pump body submerged in the liquid handled (without suction line or foot valve).

- Impeller**
- VAL: free-flow impeller (vortex or recessed impeller).
 - SC: open impeller.

- Connection**
- VAL 30, SC 30, SC 50: threaded port ISO 228 (BS 2779).
 - VAL 65: flange with plain face oval threaded counter-flange UNI 2245, PN 2.5.

Applications

- For draining a basin or a sump with domestic or industrial sewage.
- For slightly dirty waste water, for liquids which are non-aggressive for the pump materials.

Operating conditions

Liquid temperature up to 40° C.
 Ambient temperature up to 40° C.
 Continuous duty.
 Maximum size of solids: VAL 30 = 25 mm; VAL 65 = 50 mm;
 SC 30 = 3 mm; SC 50 = 6 mm.

Motor

2-pole induction motor, 60 Hz ($n \approx 3450$ rpm).
VAL - SC: three-phase 220/380 V.
VALM - SCM: single-phase 220 V, with thermal protector.
 Insulation class F.
 Protection IP 54.
Classification scheme IE2 for three-phase motors from 0,75 kW.
 Constructed in accordance with: EN 60034-1; EN 60034-30.
 EN 60335-1, EN 60335-2-41.

Materials

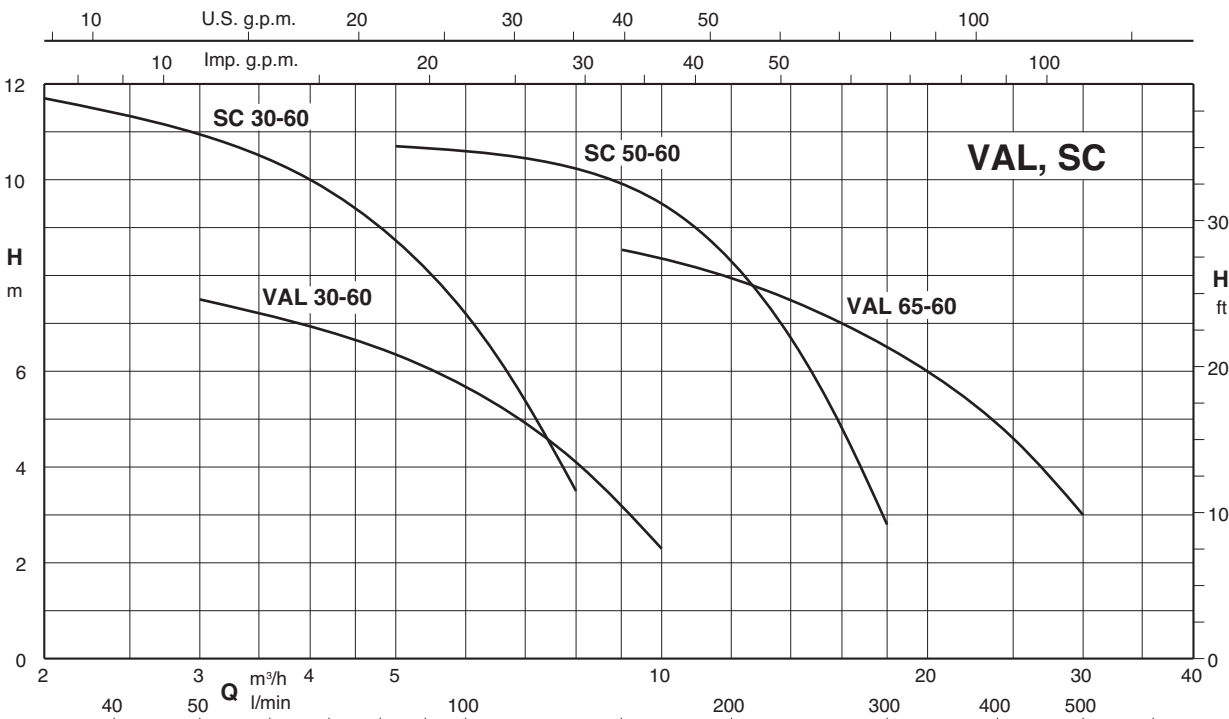
Components	VAL	SC
Pump casing	Cast iron	Cast iron
Lower bearing housing*	GJL 200 EN 1561	GJL 200 EN 1561
Impeller	Brass P-Cu Zn 40 Pb 2 UNI 5705 for VAL 30	Brass P-Cu Zn 40 Pb 2 UNI 5705
	Cast iron GJL 200 EN 1561 for VAL 65	
Shaft	Steel C 40 UNI 7231	
Bearing bush	Tecnopolymer	
Shaft sleeve	Chromate bronze for VAL 65	—

* Not existing for VAL 30.

Special features on request

- Other voltages.
- Protection IP 55.
- Bronze bearing bush (for liquid up to 100° C).
- Higher liquid or ambient temperatures.

Coverage chart $n \approx 3450$ rpm



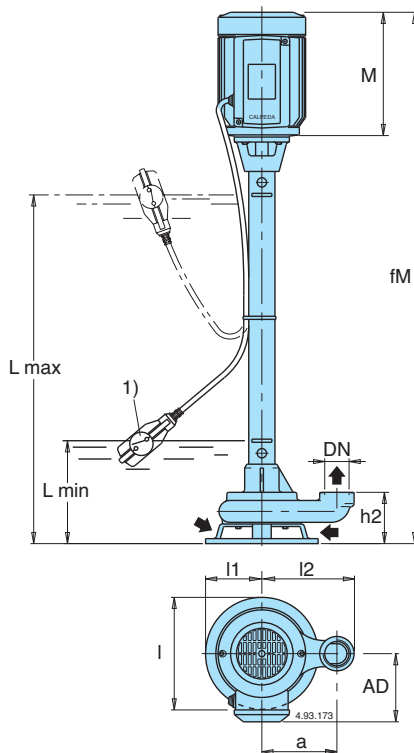
Performance n ≈ 3450 rpm

	3 ~ 220V 380V			1 ~ 220V			P ₂		Q m ³ /h																						
	A	A	IA/IN	A	IA/IN	kW	HP	l/min		3	3,5	4	4,5	5	5,5	6	6,5	7	7,5	8	9	10	12	14	16	18	20	25	30		
VAL 30-60/A	2,6	1,5	3,5	VALM 30-60/A	4,1	2,5	0,45	0,6	H m	50	58,3	66,6	75	83,3	91,6	100	108	116	125	133	150	166	200	233	266	300	333	416	500		
VAL 65E-60	9	5,2	5,4							7,2	7	6,5	6,3	6	5,5	5,2	4,8	4,5	4	3,2	2,2										
VAL 65-R-60/A	11,1	6,4	7,3																		8,5	8,4	7,9	7,4	7	6,5	5,9	4,5	3		
SC 30-60/A	2,6	1,5	3,5	SCM 30-60/A	3,4	2,3	0,37	0,5													8,5	8,4	7,9	7,4	7	6,5	5,9	4,5	3		
SC 50-60/A	2,6	1,5	3,5	SCM 50-60/A	4,1	2,5	0,45	0,6						10,7	10,6	10,5	10,4	10,3	10,2	10	9,8	9,4	8,2	6,6	4,7	2,7					

IA/IN = D.O.L. starting current / Rated current. P₂ Rated motor power output. H Total head in m. Tolerances according to UNI EN ISO 9906:2012.

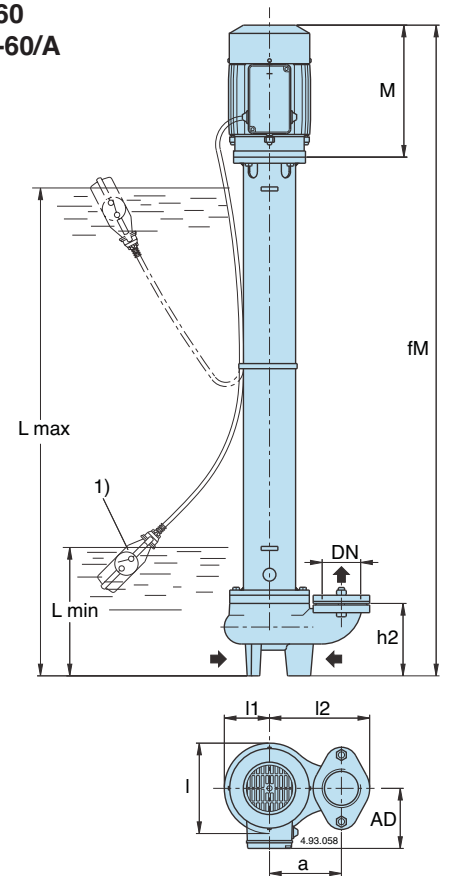
Dimensions and weights

VAL 30-60/A
SC 30-60/A
SC 50-60/A



VAL 30E
SC 30E
SC 50E

VAL 65E-60
VAL 65-R-60/A

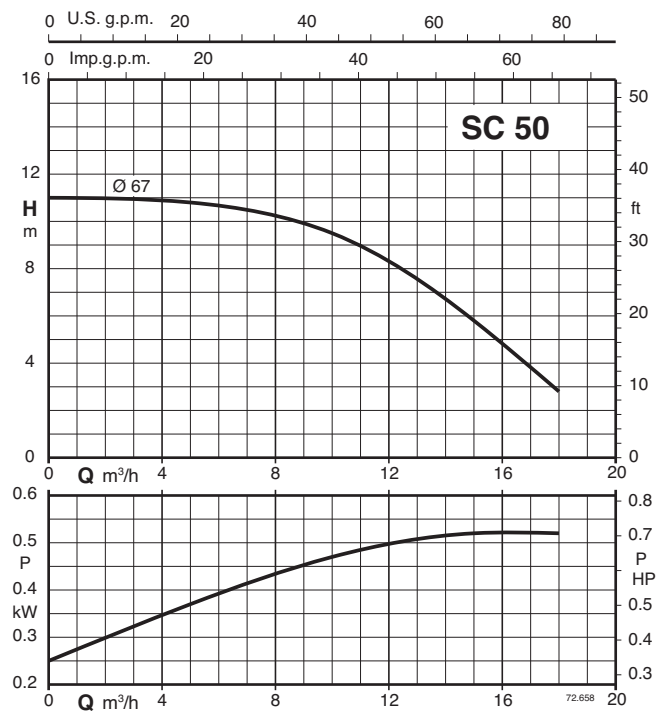
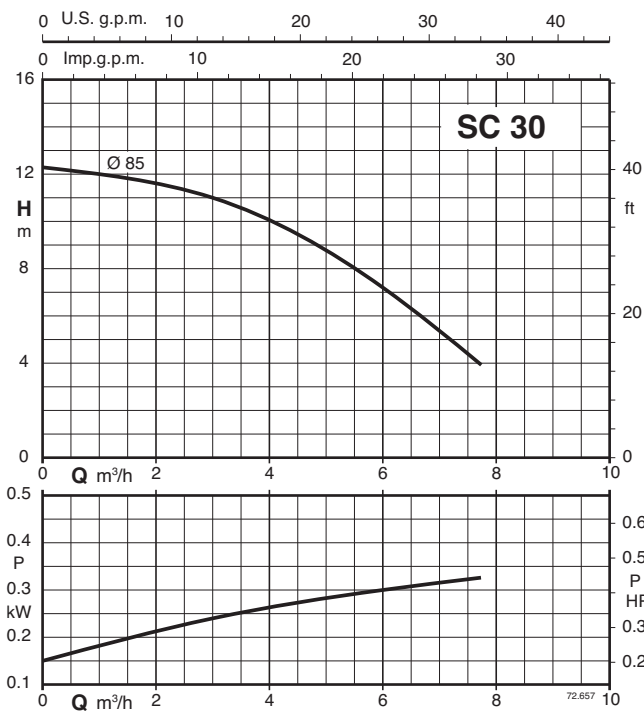
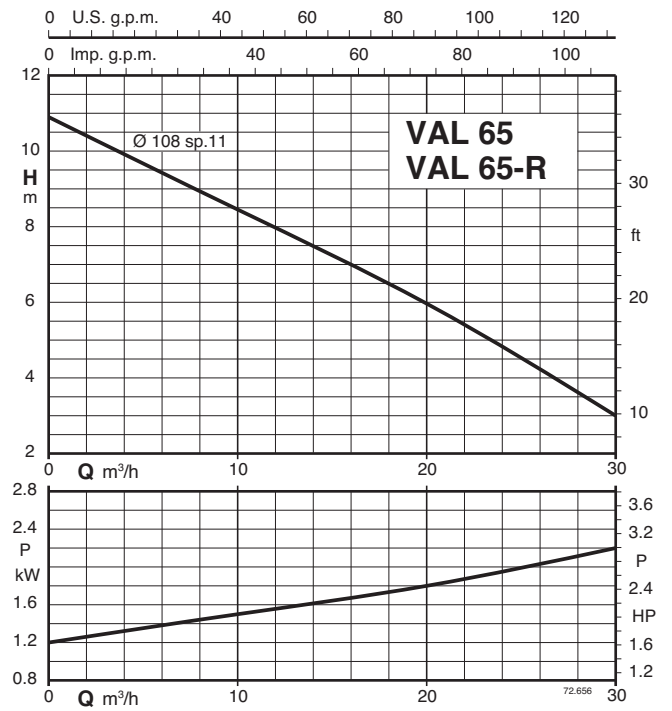
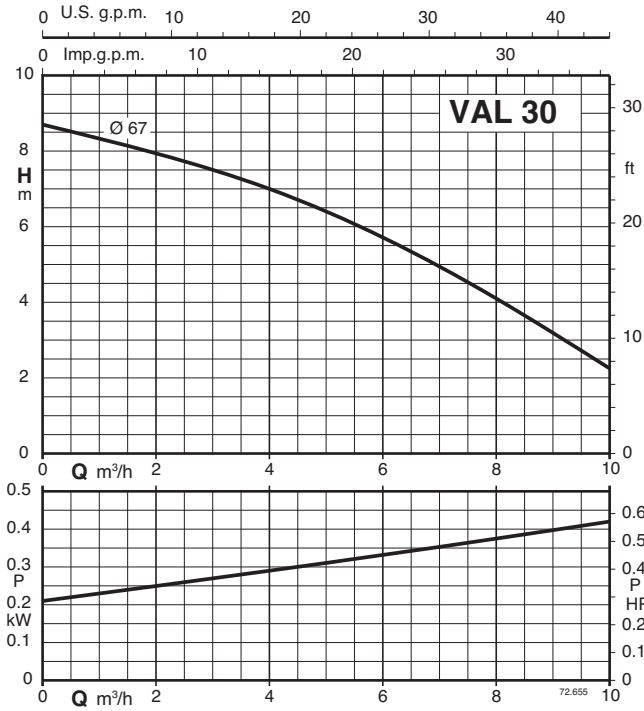


VAL 65E
VAL 65-R/A

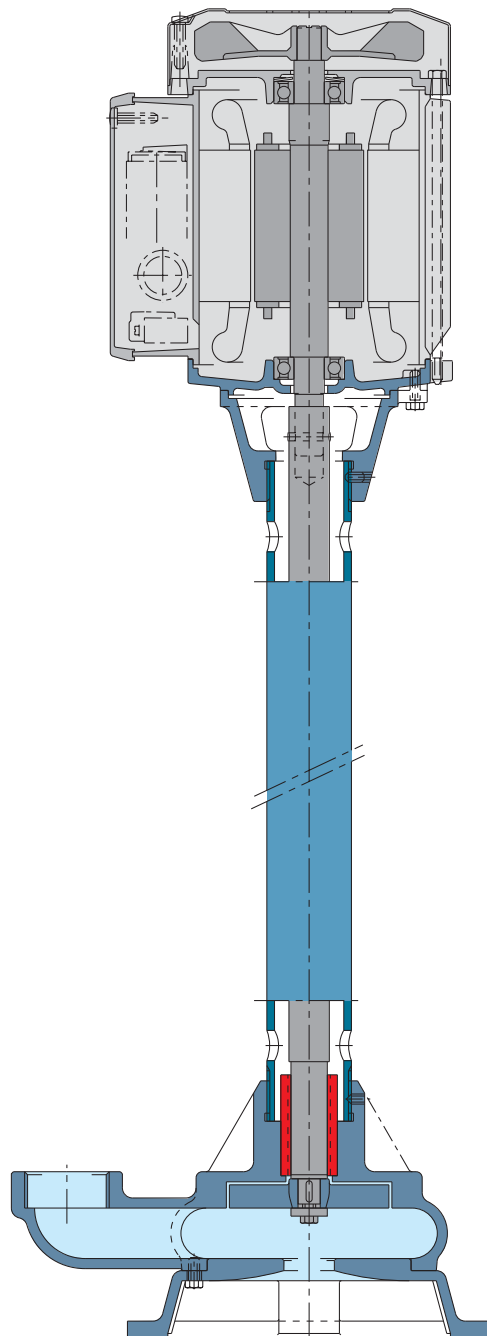
1) Float switch (on request)

TYPE	DN ISO 228	mm										kg
		fM	M	h2	AD	a	L min	L max	l	l1	l2	
VAL 30/750-60/A	G 1 1/4	1025	200	82	111	120	150	750	180	90	148	17,8
VAL 30/1000-60/A		1275						1000				19,5
VAL 65/1000E-60	G 2 1/2	1245	235	140	135	140	250	950	175	88	195	40
VAL 65/1500E-60		1745						1450				48
VAL 65/2000E-60		2245						1950				56
VAL 65/2500E-60		2745						2450				64
VAL 65/1000-R-60/A		1285						950				43
VAL 65/1500-R-60/A	1785	1450	51									
VAL 65/2000-R-60/A	2285	1950	59									
VAL 65/2500-R-60/A	2785	2450	67									
SC 30/500-60/A	G 1 1/4	765	200	105	111	100	200	455	132	65	127	17,4
SC 30/750-60/A		705						19,6				
SC 30/1000-60/A		955						21,8				
SC 30/1250-60/A		1205						24				
SC 50/500-60/A	G 2	780	200	120	111	120	215	470	173	86	157	18,5
SC 50/750-60/A		720						20,7				
SC 50/1000-60/A		970						22,9				
SC 50/1250-60/A		1220						25,1				

Characteristic curves $n \approx 3450$ rpm



Features



Range

The high number of pumps in the range can meet the widest range of services required by the user.

Construction with no mechanical seal

The absence of a mechanical seal minimizes the need for maintenance of the pumps.

Float switch

The pumps can be fitted with a float switch, eliminating the need for level control systems.