

NCS3

Circulating pumps for sanitary hot water



Construction

Bronze pump casing with suction and delivery connections with the same diameter and on the same axis (in-line).
Stainless steel AISI 316 can.

Materials	NCS3 ..-40, -50	NCS3 ...-70
Pump casing	Bronze	Bronze
Impeller	Composite	Composite
Shaft	Stainless steel AISI 420	Stainless steel AISI 420
Bearings	Graphite	Ceramic

Applications

Circulation of sanitary hot water.

Operating conditions

Liquid temperature from +5 °C to +65 °C.
Ambient temperature up to 40 °C.
Sound pressure ≤ 43 dB (A).
Minimum suction pressure: 0,05 bar at 50 °C
Maximum permissible working pressure 10 bar.

Designation

NCS3 20 - 40 / 130

Series _____
DN ports in mm _____
Max. head in dm _____
connection size mm _____

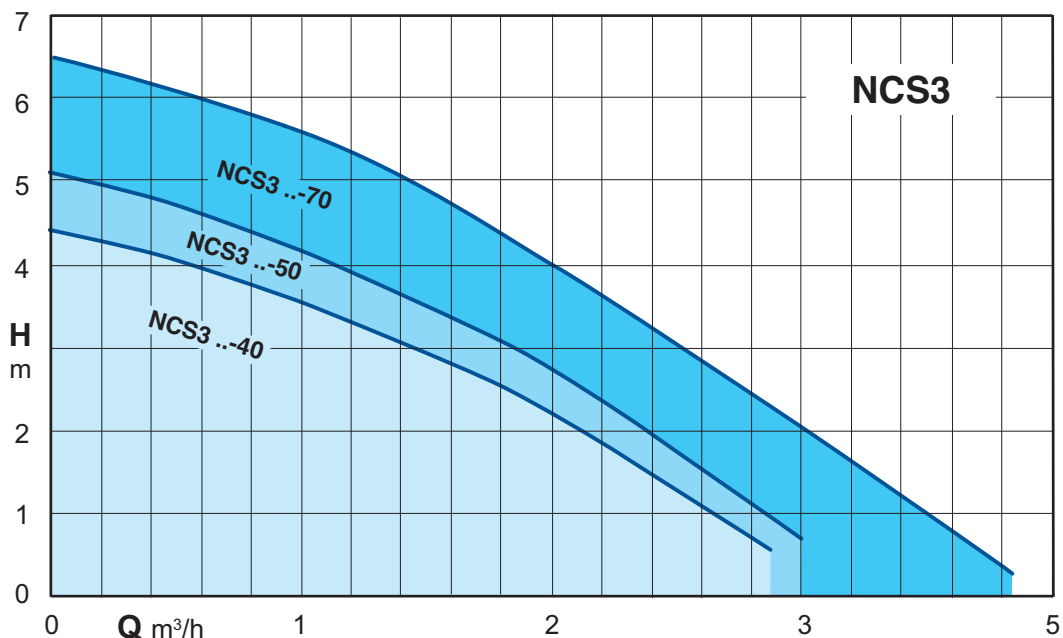
Motor

2-pole induction motor, 50 Hz.
Three adjustable speeds.
NCS3: single-phase 230 V.
Insulation class H.
Protection IP 44.

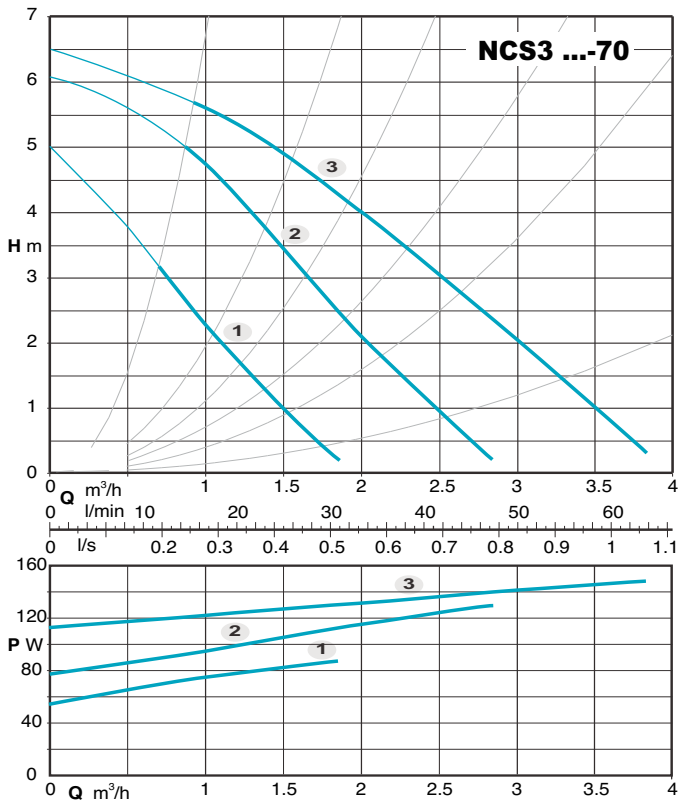
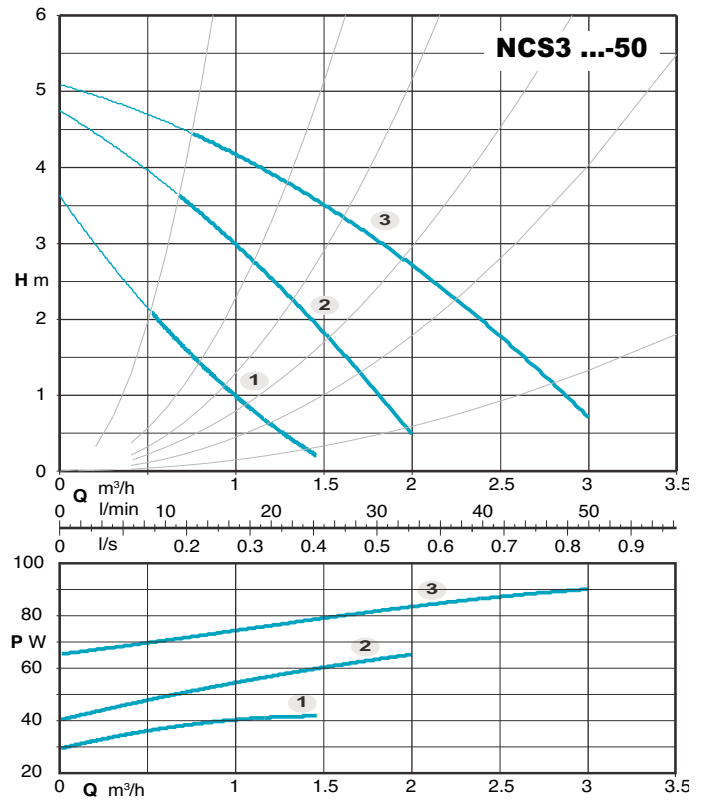
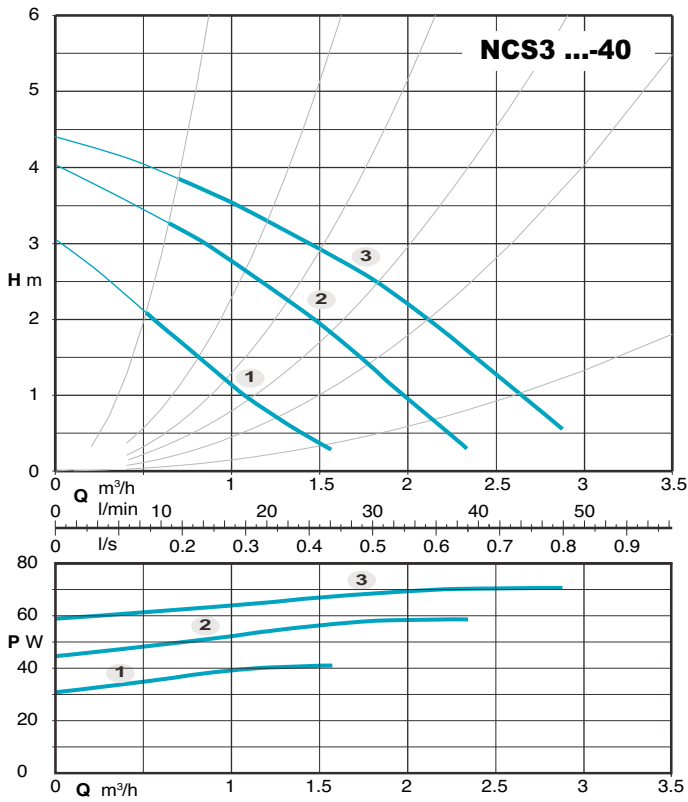
Special features on request

Brass unions.

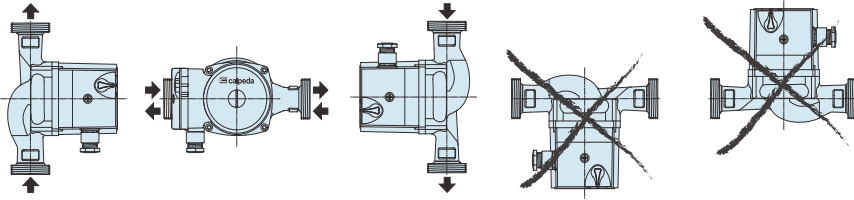
Coverage chart



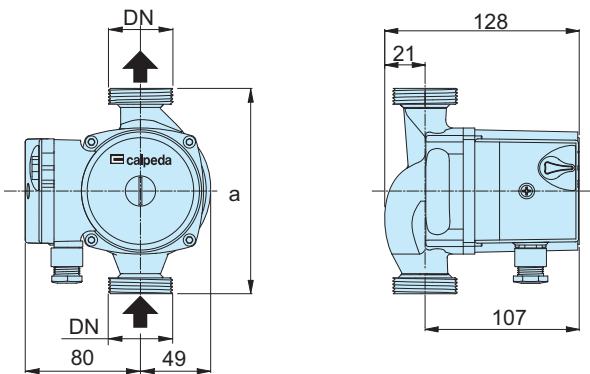
Characteristic curves



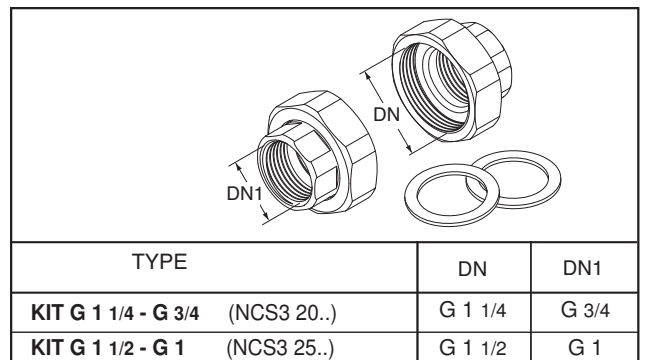
Examples of installations



Dimensions and weights



Unions (on request)



TYPE	DN	Pos.	P1 (W)	1x 230 V [A]	a mm	[kg]
NCS3 20-40/130	G 1 1/4	3	70	0,30	130	2,3
NCS3 25-40/130	G 1 1/2	1	59	0,26		
NCS3 20-50/130	G 1 1/4	3	91	0,38	130	2,5
NCS3 25-50/130	G 1 1/2	1	65	0,28		
NCS3 20-70/130	G 1 1/4	3	148	0,66	130	3,8
NCS3 25-70/130	G 1 1/2	1	128	0,59		
			87	0,41		